

The General Aptitude Test Battery (GATB)

A significant part of the gross screening process used by Applicant Testing Services, Inc. (ATS) is the General Aptitude Test Battery (GATB).

What is it?

The GATB is a series of timed tests used mainly by employment and/or vocational counselors to assist in determining an individual's occupational aptitudes. Armed with this and other information, an individual can then make occupational choices, which will give them greater opportunity for success and job satisfaction. This test battery was originally designed in the 1940's and through ongoing research, has been revised to its present-day format.

How does it work?

A clients' aptitudes, measured through the GATB, are compared to a set of standards which have been designated for successful performance for specific occupations such as policing.

How many tests are there?

The GATB is actually made up of twelve tests, eight of which are paper and pencil tests, and four that require other equipment. ATS currently uses seven of the paper and pencil tests to measure the occupational aptitudes used in determining a person's suitability to policing.

Tell me more about the tests...

The tests are timed and therefore it is extremely important to work as quickly as possible in order to get done as much as possible. Accuracy is also critical to get the maximum amount of credit for each test. If you are not sure your answer is right, mark it down anyway; however, it is important that you try to figure out the correct answer first.

Each of the following is intended to give you a sample of the kinds of questions used in the tests:

- 1) Add (+) 397
 265 **a) 652** **b) 662** **c) 762** **d) 562**

The correct answer is 662, therefore on the answer sheet the letter b) would be selected.

- 2) Which two words have the same meaning? **a) fast** **b) bright** **c) speedy** **d) long**

The correct answer is fast and speedy, therefore on the answer sheet the letter combination a)-c) would be selected.

- 3) Which two words have the opposite meaning? **a) portly** **b) tall** **c) short** **d) erect**

The correct answer is tall and short, therefore on the answer sheet the letter combination b)-c) would be selected.

- 4) Identify which pairs of names are the same "S" and which pairs are different "D".

- **Bradley T. Williams Bradly T. Williams**
- **N.N. Somerhouse N.N. Somerhouse**
- **Sara P. Smith Co. Sara B. Smith Co.**

The first pair is different, the second pair is the same, and the third pair is different, therefore the correct answer sequence on the answer sheet would be D, S and D.

5) Mark is selling 3 bushels of apples containing 75 apples per bushel. He sells Phillis 1 full bushel of apples and 1 part bushel containing 30 apples. How many apples does Mark have left to sell?

- a) 140 b) 130 c) 135 d) 75 e) none of the above

The correct answer is 120, therefore since none of the answers given is correct e) none of the above should be selected and marked accordingly on the answer sheet.

6) At the left is a drawing of a flat piece of metal. Which object to the right can be made from this piece of metal? (The metal is to be bent at the dotted lines in order to make the object).

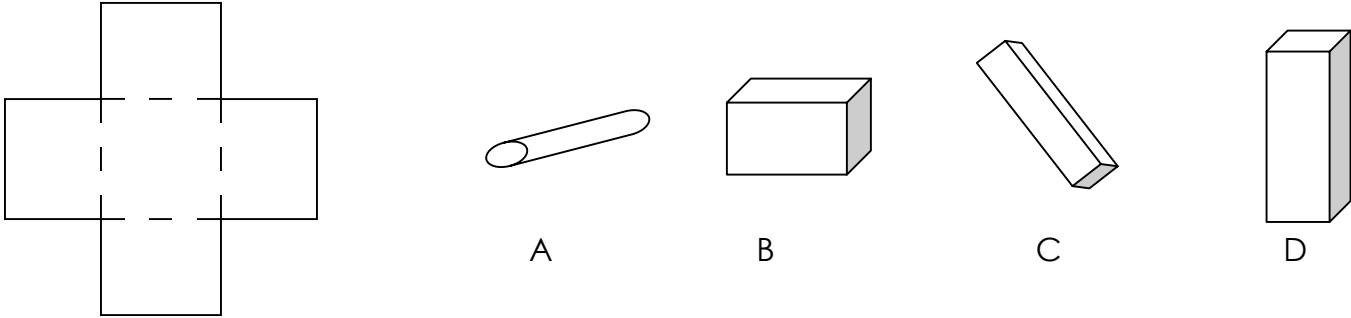
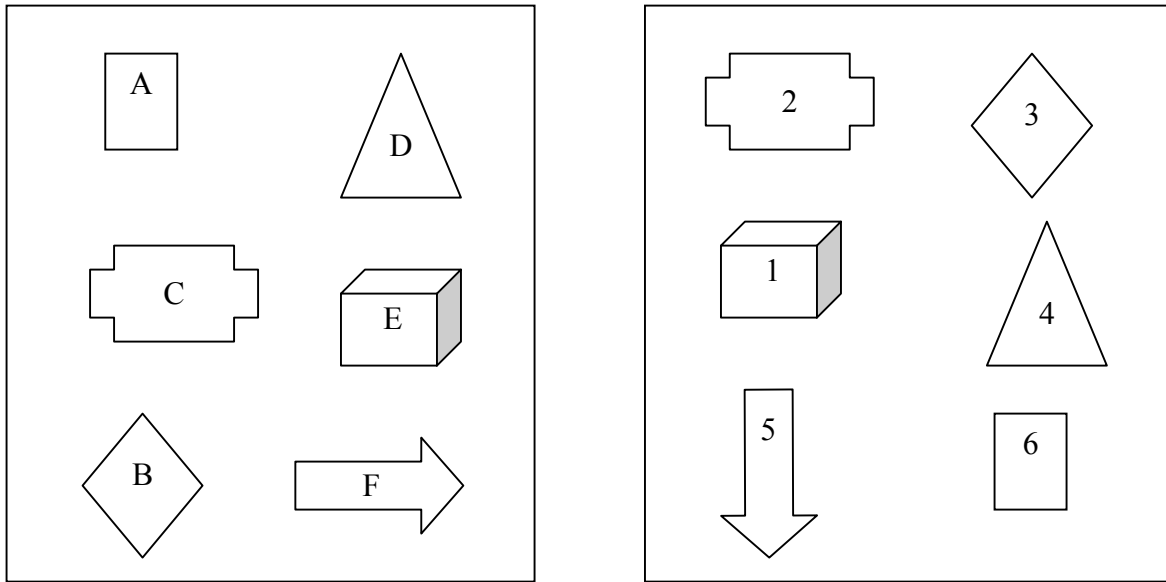


Figure 1

Only Object B can be made from the figure on the left, therefore on the answer sheet the letter B would be selected.

7) In the boxes below, find the lettered figure that is exactly like the numbered figure.



The correct answers are: A-6, B-3, C-2, D-4, E-1 and F-5

NOTE: The answer sheet used in the tests will be explained on test day.

What else can I do to prepare for these tests?

Taking a test is like many other activities where practice can make a difference. Trying tests that reflect the kinds or style of questions demonstrated above will provide valuable feedback. Proper rest and nutrition will help in mental preparedness for test day.